

**AH 850-M - HONDA GX 390/ GASOLINE 3000 rpm | 50 Hz**

**TRIPHASE  
230 V**

## TECHNICALS SPECIFICATIONS



Model:

# AH 850

Gen set composed of engine and alternator perfectly assembled and fitted in a practical tubular chasis, that is adding great strenght and versatility.

**STANDBY POWER:**  
(LTP "Limited Time Power" norma ISO 8528-1) **8,5 kVA**

Image for guidance purposes.

### Genset general characteristics

Standby power LTP (kVA)	8,5
Frequency (Hz)	50
R.p.m.	3000
Voltage (V)	230
(Cos ø)	0.8

## ENGINE CHARACTERISTICS

MAKE	MODEL
HONDA	GX 390
Mechanical effect power (kWm)	6
No. cylinders	1
Diameter x stroke (mm)	88x64
Compression ratio	8,0:1
Cooling system	Air
Series regulator	Mechanical
Start	Recoil Start
Fuel	Gasoline
Fuel tank capacity (L)	6,1
Fuel consumption 100% (L/h)	3,4
Oil tank capacity (L)	1,1

**TESS**  
TEKNISK FAGHANDEL  
Elev. 1959

**TESS AS**  
Industrigata 8, 3414 Lierstranda - Postboks, 1540 3007 Drammen  
Tel: 32 84 40 00  
E-post: [tess@tess.no](mailto:tess@tess.no) // [www.tess.no](http://www.tess.no)

**AH 850-M - HONDA GX 390/ GASOLINE 3000 rpm | 50 Hz**

**TRIPHASE  
230 V**

## ALTERNATOR CHARACTERISTICS

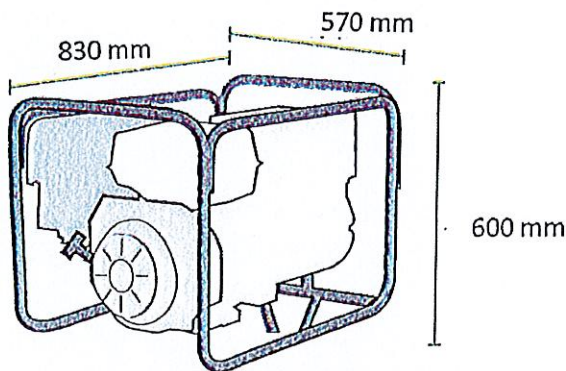
Voltage (V)	230
Frequency (Hz)	50
R.p.m.	3000
No. poles	2
Protection degree IP	21
Insulation	H

## SOCKETS DESCRIPTION:

Triphase version: 1 TRIPHASE CEE SOCKET, 2 MONOPHASE SCHUKO SOCKETS 16A and termic protections.

## DIMENSIONS AND WEIGHT

Length (mm)	830
Width (mm)	570
Height (mm)	600
Weight (kg)	85



## OPTIONAL

TRANSPORT KIT

**TESS**  
TEKNISK FÅGHANDEL  
0-9 1122

TESS AS  
Industrigata 8, 3414 Lierstranda - Postboks, 1540 3007 Drammen  
Tel: 32 84 40 00  
E-post: [tess@tess.no](mailto:tess@tess.no) // [www.tess.no](http://www.tess.no)