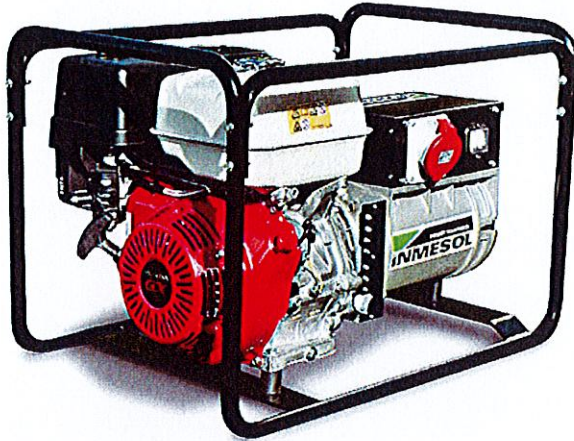


AH 1250-E - HONDA GX 630/ GASOLINE 3000 rpm | 50 Hz

**TRIPHASE
230 V**

TECHNICALS SPECIFICATIONS



Model:

AH 1250

Gen set composed of engine and alternator perfectly assembled and fitted in a practical tubular chasis, that is adding great strenght and versatility.

STANDBY POWER:
(LTP "Limited Time Power" norma ISO 8528-1)

12,5 kVA

Image for guidance purposes.

Genset general characteristics

Standby power LTP (kVA)	12,5
Frequency (Hz)	50
R.p.m.	3000
Voltage (V)	. 230
(Cos ø)	0.8

ENGINE CHARACTERISTICS

MAKE	MODEL
HONDA	GX 630
Mechanical effect power (kWm)	10,5
No. cylinders	2
Diameter x stroke (mm)	78x72
Compression ratio	9,3:1
Cooling system	Air
Series regulator	Mechanical
Start	Electric battery
Fuel	Gasoline
Fuel tank capacity (L)	16
Fuel consumption 100% (L/h)	5,7
Oil tank capacity (L)	1,9

TESS
TEKNISK FAGHANDEL
Est. 1921

TESS AS
Industrigata 8, 3414 Lierstranda - Postboks, 1540 3007 Drammen
Tel: 32 84 40 00
E-post: tess@tess.no // www.tess.no

AH 1250-E - HONDA GX 630/ GASOLINE 3000 rpm | 50 Hz

TRIPHASE
230 V

ALTERNATOR CHARACTERISTICS

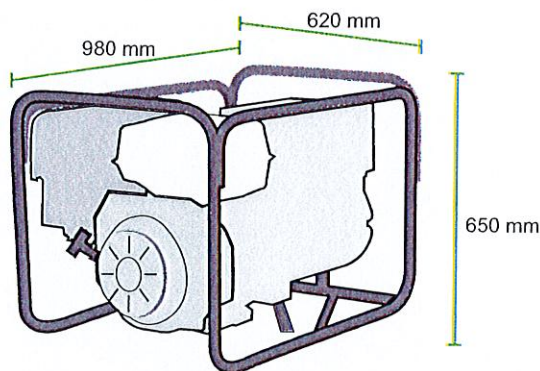
Voltage (V)	100 230
Frequency (Hz)	50
R.p.m.	3000
No. poles	2
Protection degree IP	21
Insulation	H

SOCKETS DESCRIPTION:

Triphase version: 1 TRIPHASE CEE SOCKET, 2 MONOPHASE SCHUKO SOCKETS 16A and termic protections.

DIMENSIONS AND WEIGHT

Length (mm)	980
Width (mm)	620
Height (mm)	650
Weight (kg)	135



OPTIONAL

TRANSPORT KIT