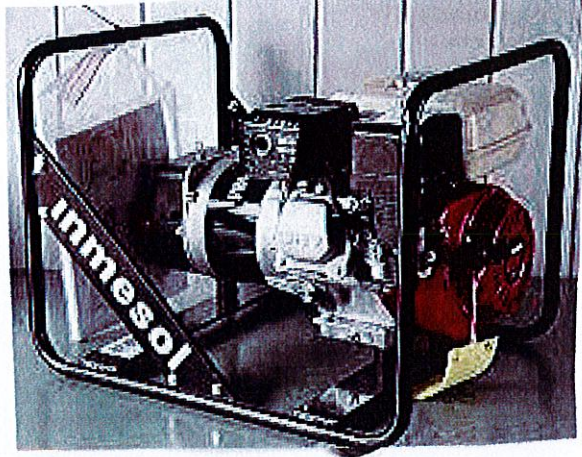


AH 300-M - HONDA GX 200/ GASOLINE 3000 rpm | 50 Hz

**MONOPHASE
230 V**

TECHNICALS SPECIFICATIONS



Model:

AH 300

Gen set composed of engine and alternator perfectly assembled and fitted in a practical tubular chasis, that is adding great strenght and versatility.

STANDBY POWER:
(LTP "Limited Time Power" norma ISO 8528-1) **3 kVA**

Image for guidance purposes.

Genset general characteristics

Standby power LTP (kVA)	3
Frequency (Hz)	50
R.p.m.	3000
Voltage (V)	230
(Cos ϕ)	1

ENGINE CHARACTERISTICS

MAKE	MODEL
HONDA	GX 200
Mechanical effect power (kWm)	3,3
No. cylinders	1
Diameter x stroke (mm)	68x54
Compression ratio	8,5:1
Cooling system	Air
Series regulator	Mechanical
Start	Recoil Start
Fuel	Gasoline
Fuel tank capacity (L)	3,1
Fuel consumption 100% (L/h)	1,5
Oil tank capacity (L)	0,6

TESS
TEKNISK FAGHANDEL
Est. 1927

TESS AS
Industrigata 8, 3414 Lierstranda - Postboks, 1540 3007 Drammen
Tel: 32 84 40 00
E-post: tess@tess.no // www.tess.no

AH 300-M - HONDA GX 200/ GASOLINE 3000 rpm | 50 Hz

**MONOPHASE
230 V**

ALTERNATOR CHARACTERISTICS

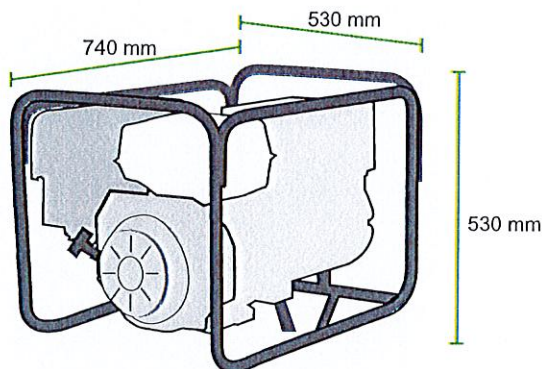
Voltage (V)	230
Frequency (Hz)	50
R.p.m.	3000
No. poles	2
Protection degree IP	21
Insulation	H

SOCKETS DESCRIPTION:

MONOPHASE version: 2 MONOPHASE SCHUKO SOCKETS 16A and termic protection.

DIMENSIONS AND WEIGHT

Length (mm)	740
Width (mm)	530
Height (mm)	530
Weight (kg)	72



OPTIONAL

TRANSPORT KIT

TESS
TEKNISK FAGHANDEL
Est. 1961

TESS AS
Industrigata 8, 3414 Lierstranda - Postboks, 1540 3007 Drammen
Tel: 32 84 40 00
E-post: tess@tess.no // www.tess.no