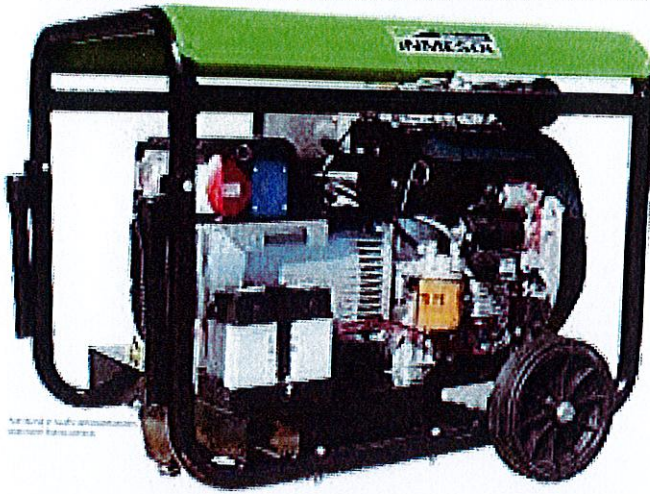


AK 1500-E - KOHLER CH 730/ GASOLINE 3000 rpm | 50 Hz

TRIPHASE
400/230 V

TECHNICALS SPECIFICATIONS



Model:

AK 1500

Gen set composed of engine and alternator perfectly assembled and fitted in a practical tubular chasis, that is adding great strenght and versatility.

STANDBY POWER:
(LTP "Limited Time Power" norma ISO 8528-1) **15 kVA**

Genset general characteristics

Standby power LTP (kVA)	15
Frequency (Hz)	50
R.p.m.	3000
Voltage (V)	400 / 230
(Cos ϕ)	0.8

ENGINE CHARACTERISTICS

MAKE	MODEL
KOHLER	CH 730
Mechanical effect power (kWm)	14,5
No. cylinders	2
Diameter x stroke (mm)	83x67
Compression ratio	9:1
Cooling system	Air
Series regulator	Mechanical
Start	Electric battery
Fuel	Gasoline
Fuel tank capacity (L)	15
Fuel consumption 100% (L/h)	5
Oil tank capacity (L)	1,9

TESS
TEKNISK FAGHANDEL
Est. 1992

TESS AS
Industrigata 8, 3414 Lierstranda - Postboks, 1540 3007 Drammen
Tel: 32 84 40 00
E-post: tess@tess.no // www.tess.no

AK 1500-E - KOHLER CH 730/ GASOLINE 3000 rpm | 50 Hz

**TRIPHASE
400/230 V**

ALTERNATOR CHARACTERISTICS

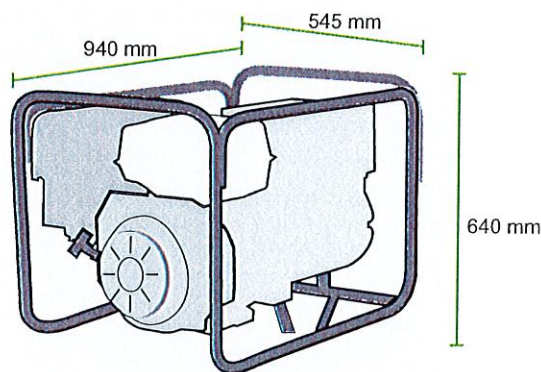
Voltage (V)	400 / 230
Frequency (Hz)	50
R.p.m.	3000
No. poles	2
Protection degree IP	21
Insulation	H

SOCKETS DESCRIPTION:

Triphase version: 1 TRIPHASE CEE SOCKET, 2 MONOPHASE SCHUKO SOCKETS 16A and termic protections.

DIMENSIONS AND WEIGHT

Lenght (mm)	940
Width (mm)	545
Height (mm)	640
Weight (kg)	164



OPTIONAL

TRANSPORT KIT

TESS
TEKNISK FAGHANDEL
EST. 1921

TESS AS
Industrigata 8, 3414 Lierstranda - Postboks, 1540 3007 Drammen
Tel: 32 84 40 00
E-post: tess@tess.no // www.tess.no