

AH 700-M - HONDA GX 390/ GASOLINE 3000 rpm | 50 Hz

**SINGLE PHASE
230 V**

TECHNICALS SPECIFICATIONS



Model:

AHR 700

Med spenningsregulator

Gen set composed of engine and alternator perfectly assembled and fitted in a practical tubular chasis, that is adding great strenght and versatility.

STANDBY POWER:
(LTP "Limited Time Power" norma ISO 8528-1)

7 kVA

Genset general characteristics

Standby power LTP (kVA)	7
Frequency (Hz)	50
R.p.m.	3000
Voltage (V)	230
(Cos ø)	1

ENGINE CHARACTERISTICS

MAKE	MODEL
HONDA	GX 390
Mechanical effect power (kWm)	6
No. cylinders	1
Diameter x stroke (mm)	88x64
Compression ratio	8,0:1
Cooling system	Air
Series regulator	Mechanical
Start	Recoil Start
Fuel	Gasoline
Fuel tank capacity (L)	6,1
Fuel consumption 100% (L/h)	3,4
Oil tank capacity (L)	1,1

TESS
TEKNISK FAGHANDEL
Est. 1992

TESS AS
Industrigata 8, 3414 Lierstranda - Postboks, 1540 3007 Drammen
Tel: 32 84 40 00
E-post: tess@tess.no // www.tess.no

AH 700-M - HONDA GX 390/ GASOLINE 3000 rpm | 50 Hz

**SINGLE PHASE
230 V**

ALTERNATOR CHARACTERISTICS

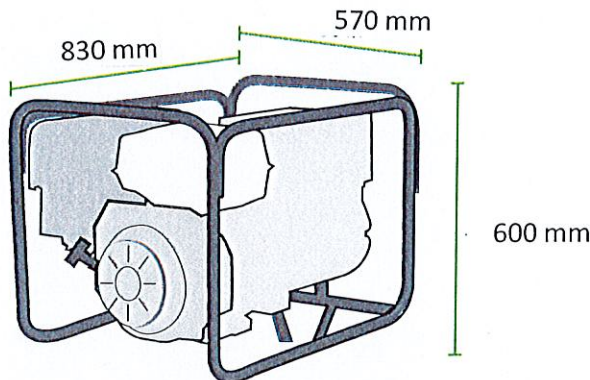
Voltage (V)	230
Frequency (Hz)	50
R.p.m.	3000
No. poles	2
Protection degree IP	21
Insulation	H

SOCKETS DESCRIPTION:

Version SINGLE PHASEe : 2 PRISES SINGLE PHASEES SCHUKO 16A et protection thermique.

DIMENSIONS AND WEIGHT

Lenght (mm)	830
Width (mm)	570
Height (mm)	600
Weight (kg)	85



OPTIONAL

TRANSPORT KIT

TESS
TEKNISK FAGHANDEL
Est. 1991

TESS AS
Industrigata 8, 3414 Lierstranda - Postboks, 1540 3007 Drammen
Tel: 32 84 40 00
E-post: tess@tess.no // www.tess.no